

Just Care Waxing Starter Kit with Hive 1000cc Heater

FREE JUST CARE CONTENTS WORTH £18.00



Contents:

- 1 x Hive 1000cc Heater
- 1 x 500ml Pre-Wax Lotion with Tea Tree Oil
- 1 x 500ml After Wax Lotion with Tea Tree Oil
- 1 x 500ml Equipment Cleaner
- 1 x 100 Paper Strips
- 1 x 100 Spatulas
- 1 x 425g Tea Tree Wax

3147 Starter Kit + Hive 1000cc Heater

£49.95

Just Care Honey Wax

From £4.25



- Just Care wax provides the efficient working solution for the removal of body and facial hair

1727	Honey 425g	Buy 1+	£4.25
		Buy 12+	£4.00
		Buy 24+	£3.75

Just Care Tea Tree Cream Wax

From £4.25



- Tea Tree Cream wax offers the benefits of a low operating temperature crème wax

1728	Tea Tree 425g	Buy 1+	£4.25
		Buy 12+	£4.00
		Buy 24+	£3.75

Just Care Pink Cream Wax



From £4.25



- A deluxe Pink cream wax ideal for sensitive skin
- Leaves a less sticky residue on the working area after waxing

7837	Pink 425g	Buy 1+	£4.25
		Buy 12+	£4.00
		Buy 24+	£3.75

Just Care Pure Talc



- A luxury Purified un-fragranced talc
- Ideally suited to the preparation of the skin prior to waxing

1729	Pure Talc 400g	£1.95
------	----------------	-------

Just Care Pre-Wax Lotion with Tea Tree Oil



- For effective removal of make-up, perspiration and body oils from the area to be treated prior to waxing or depilation

3146	Pre-Wax Lotion 500ml	£2.95
------	----------------------	-------

Just Care After Wax Lotion with Tea Tree Oil



- A gentle conditioning lotion to protect and soothe the skin after waxing treatments, making it easier to remove any wax residue

3148	After Wax Lotion 500ml	£3.45
3149	After Wax Lotion 4L	£10.60

Just Care Superior Paper Strips



- A bonded thin paper strip suitable for use with warm or creme waxes

0400	Paper, pk/100	Buy 1+	£2.25
		Buy 12+	£2.10
		Buy 24+	£1.95

Just Care Superior Fabric Strips



- A superior cotton weave waxing strip for use with warm or creme waxes

0401	Fabric, pk/100	Buy 1+	£2.45
		Buy 12+	£2.30
		Buy 24+	£2.15

Just Care Disposable Wooden Spatulas



- Round end flat birch and beach 6" spatulas for smooth efficient wax application

0402	Spatulas, pk/100	£1.30
------	------------------	-------

Just Care Hand Sanitizer Gel



3248	Sanitizer Gel 500ml	£3.95
------	---------------------	-------

Just Care Surgical Spirit



1733	Surgical Spirit 4L	£12.95
8374-5	Surgical Spirit 500ml	£2.60

Mini Wooden Disposable Spatulas



- Flat Birchwood spatulas ideal for use on the lips, under-arm and areas where a smaller application of wax is required
- Size 150 x 10mm
- 50 per Box

1796	Mini Spatulas, pk/50	£0.45
------	----------------------	-------

Hive Wax Heater 1000cc



Best Seller

- Suited to all warm and cream waxes, whilst also working well at both lower and higher temperatures suiting both paraffin and depilatory hot wax
- The base of the unit can be removed and locked into position as a protective collar

1738	Hive Heater 1000cc	£49.95
------	--------------------	--------

Hive Wax Heater 500cc



- The smaller and more compact 500cc capacity heater has been designed for the direct insertion of pots or warm and crème wax of your choice in either plastic or metal containers
- An inner 500cc container must be used when using depilatory hot wax

1766	Hive Heater 500cc	£44.95
------	-------------------	--------

Just Care Wax Equipment Cleaner



- Formulated to remove wax residue and spillage from floors, heaters, utensils and trolleys

3150	Equipment Cleaner 500ml	£3.95
1794	Equipment Cleaner 4L	£14.95



Just Wax Digital Professional Starter Kit



Contents:

- 1 x 500cc Digital Wax Heater
- 1 x 450g Pot of Wax
- 1 x 250ml Pre-Wax Cleansing Gel
- 1 x 250ml After Wax Lotion
- 1 x 250ml Seraclean
- 1 x 100 Paper Wax Strips
- 1 x 100 Spatulas

9203 Digital Professional Wax Heater Kit **£49.95**

Just Wax Digital Compact Heater

New Stylish Contemporary design with easy touch digital temperature control. Easy to clean gloss finish and detachable cable



- Simply place wax pot directly into heater, no inner pot required
- No pouring, no mess and interchangeable with different types of wax
- Holds 450g wax pots
- Ideal for salon, student and mobile therapist

9202 Digital Wax Heater **£45.00**

Tea Tree Pre Wax Cleansing Gel



- Gel formulated pre wax cleanser with natural antiseptic tea tree and lavender

1609 Tea Tree Pre Wax Cleansing Gel 500ml **£3.70**

Sensitive Pre Wax Cleanser



- Sympathetically formulated with natural ingredients of Aloe Vera and organic Lavender to soothe and protect sensitive skin

1612 Sensitive Pre Wax Cleanser 500ml **£3.75**

Pre Wax Cleansing Gel



- Cleansing and antiseptic gel prepares the skin ensuring effective hygienic treatments
- Formulated pre wax cleanser with camphor and menthol

3164 Pre Wax Cleansing Gel 500ml **£3.70**

Sensitive After Wax Lotion



- With Aloe Vera and organic Lavender to soothe and protect sensitive skin

1613 Sensitive After Wax Lotion 500ml **£3.90**

After Wax Tea Tree Oil



- A light oil with Lavender and Tea Tree to soothe and moisturise the skin

1610 Tea Tree Oil 500ml **£3.70**

After Wax Soothing Gel



- Gentle Aloe Vera based after wax soothing gel with Tea Tree and Lemon oils
- Cools, soothes and conditions the skin

3165 Soothing Gel 500ml **£3.70**

After Wax Lotion



- A light, easily absorbed lotion with a nurturing blend of botanical oil Lavender, Rosemary, Eucalyptus, Peppermint, Bergamot and Thyme to soothe, calm and protect

3166 Lotion 500ml **£3.70**
3167 Lotion 1L **£5.25**

BUY 2 GET 1 FREE* JUST WAX TEA TREE, SOFT & CREME

Just Wax Tea Tree Creme Wax



- A superior quality creme wax with antiseptic Tea Tree

1608 Tea Tree Creme Wax 450g £5.55
2262 450g - Buy 2 Get 1 FREE* £11.10

Just Wax Soft Wax



- Superior quality for all areas of waxing, high performance honey wax

3153 Soft Wax 450g £5.50
2264 450g - Buy 2 Get 1 FREE* £11.00

Just Wax Creme Wax



- Superior quality, high performance, no nonsense creme wax

3158 Creme Wax 450g £5.50
2263 450g - Buy 2 Get 1 FREE* £11.00

* WHEN AVAILABLE

Just Wax Spa Cherry & Jasmine Gel Wax



- Delicious gel formulated wax with a scrumptious Cherry aroma

3154 Spa Cherry & Jasmine Gel Wax 450g £5.05

Just Wax Spa Aloe Vera & Cucumber Gel Wax



- A luscious gel wax with Aloe Vera & Cucumber to soothe, hydrate and cool

3155 Spa Aloe Vera & Cucumber Gel Wax 450g £5.05

Just Wax Green Tea Creme Wax



- Smooth creamy wax with anti-oxidant rich Green Tea to soothe, calm and leave the skin silky soft

3156 Green Tea Creme Wax 450g £5.55

Just Wax Vanilla Creme Wax



- A delicious creme wax with the intoxicating aroma of Vanilla

3157 Vanilla Creme Wax 450g £5.50

Just Wax Sensitive Creme Wax



- Superior quality creme wax with Aloe Vera and organic Lavender to soothe and calm

1611 Sensitive Creme Wax 450g £5.55

Just Wax Hon-E-Wax Carton



- A soft hon-e-wax packaged in a convenient carton
- Simply pour to refill wax heaters, pots and roller cartridges
- This wax is both water soluble and microwaveable

3159 Hon-E-Wax Carton 500g £5.50

Just Wax Tea Tree Flexiwax

NEW



- Super flexible, pure white wax pastiles with super grip technology

9204 Tea Tree Flexiwax 700g £7.50

Just Wax Hot Wax Discs

Best Seller



- Hot wax packaged in discs for convenience and ease of use
- Ideal for coarse and stubborn hair

3162 Hot Wax Discs 400g £4.35

Just Wax Hot Wax



- Hot wax in a convenient pot
- The traditional method for hair removal it is ideal for coarse and stubborn hair

3163 Hot Wax 450g £5.35

Wax Heaters and Accessories

A complete package of the very highest quality, reliable and affordable products available to therapist. Beautifully presented to complement any salon, Hive waxing products combine ease of use with affordability and reliability.

Hive Options Dome Wax Heater

NEW

- Designed to deliver a cost effective waxing solution, ideal for students and small salons
- Stylishly moulded and made from high resistant durable materials with accurate and easily understood controls
- Heats all types of waxes including warm, creme, hot and paraffin
- Complete with an inner container for ultimate flexibility



Hive Wax Heater

Best Seller



- Suited to all warm and cream waxes, also works well at both lower and higher temperatures suiting both paraffin and depilatory hot wax
- The base of the unit can be removed and locked into position as a protective collar

8912	500cc Dome Wax Heater	£37.95
9478	1000cc Dome Wax Heater	£41.95

1766	500cc Wax Heater	£44.95
1738	1000cc Wax Heater	£49.95

Hive 1000cc Digital Wax Heater



- 1000cc capacity digital wax heater for ultimate temperature control reaching temperatures of 90°C, the Hive wax heater offers complete versatility
- Chose from either standard or FAST heat up mode, perfect for the busy salon
- Features removable inner container, fitted lid, indicator display light and removable electrical lead

3169	1000cc Digital Heater	£59.95
------	-----------------------	--------

Hive Dual 1000cc & 500cc Digital Wax Heater



- A dual 1000cc & 500cc capacity digital wax heater for ultimate versatility reaching temperatures of 90°C, the Hive dual wax heater offers complete temperature control
- Chose from either standard or FAST heat up mode, perfect for the busy salon, the separate heat chambers can heat up independently or simultaneously, as required
- Features removable 1000cc inner container, removable 500cc inner container, fitted lid, indicator display light and removable electrical lead

3170	Dual 1000cc & 500cc Digital Wax Heater	£74.95
------	--	--------

Locking Base



- Locking Base - Collar for 500 or 1000cc Heater

1769	Base	£4.75
------	------	-------

Locking Lid



- Locking Lid for 500 or 1000cc Heater

1770	Lid	£3.75
------	-----	-------

Inner Container



- Inner Container for 500cc or 1000cc Heater

1768	500cc	£7.95
1767	1000cc	£9.95

Scraper Bar



- Scraper Bar - Handle for 500cc Wax Pot Heater

1771	Bar	£3.75
------	-----	-------

Protective Cardboard Heater Collars



1772	pk/50	£3.50
------	-------	-------



Hive Options Wax

Special Offer 3 Pack

Options Warm Wax



- Golden appearance and honey like consistency, when heated it provides an efficient waxing solution for the removal of body and facial hair

3173 Warm Wax 425g £4.75
3172 425g Offer pk/3 £12.75

Options Tea Tree Crème Wax



- Ideal for sensitive skin it has a low operating temperature as well as antiseptic qualities provided by the Tea Tree oil

3175 Tea Tree 425g £4.95
3174 425g Offer pk/3 £13.50

Options Pink Sensitive Crème Wax



- A deluxe pink crème wax with improved adhesion qualities
- Requiring only a very thin layer

3177 Pink Wax 425g £5.50
3176 425g Offer pk/3 £15.00

Options Crème Wax



- The improved crème wax performance will assist in the removal of fine hairs
- Low operating temperature and only requires a thin layer

3179 Crème Wax 425g £4.95
3178 425g Offer pk/3 £13.50

Options Lavender Pearlised Crème Wax



- Lavender will help heal the skin
- Excellent for those clients who suffer from sensitive skin
- It also has a low operating temperature

3181 Lavender 425g £4.95
3180 425g Offer pk/3 £13.50

Options Chocolate Crème Wax



- A light crème wax with wonderful chocolate appearance and aroma
- Has added benefit of a low operating temperature to provide optimum comfort

7860 Chocolate 425g £5.50
3182 425g Offer pk/3 £15.00

Options Lemon Zest Pearlised Crème Wax



- A light, refreshing crème pearlised wax, containing Lemon Oil to provide an uplifting fragrance during waxing

7861 Lemon Zest 425g £4.95
3184 425g Offer pk/3 £13.50

Hive Gold Wax



3185 Warm Wax 425g £5.25
3186 Tea Tree Crème Wax 425g £5.95
3188 Crème Wax 425g £5.50

Hive Paper Strips



- 22 x 7.5 cm

7890 Paper Strips, pk/100 £2.50

Hive Fabric Strips



- 22 x 7.5 cm

7891 Fabric Strips, pk/100 £3.75

Hive Wooden Disposable Spatulas



- 15 x 2 cm

7892 Spatulas, pk/100 £1.50

Hive Flexible Paper Strips



Buy 2 Get 1 Free

7889 Flexible Strips, pk/100 £2.45
8914 Buy 2 Get 1 Free Offer £4.90

Hive Mini Paper Waxing Strips



- 115 x 45 mm

3239 Mini Strips, pk/100 £1.45

Hive Flexible Waxing Paper Roll



- 50m paper roll

3240 Flexible Paper Roll £4.50



Hot Film Wax

Depilatory Hot Film Wax Block



- A uniquely different and improved hot wax application with pleasing depilatory results
- Containing plasticides, applied as thin flexible economic layer

3192 Depilatory 500g Block **£5.95**

Brazilian Hot Film Wax Block



- New formulation designed for Brazilian hot wax of the bikini line
- Provides greater and improved adhesion qualities

3193 Brazilian 500g Block **£6.95**

Chocolate Hot Film Wax Block



- A luxurious Chocolate Hot Film Wax specifically formulated for clients who suffer with rough, dry or mature skin
- Leaves the skin feeling silky smooth

7839 Chocolate 500g Block **£7.50**

Brazilian Hot Film Wax Kits



Contents:

- 1 x 500g Brazilian Depilatory Hot Film Wax Block - Cream
- 1 x 400ml Pre Wax Treatment Spray
- 1 x 400ml After Wax Lotion
- 1 x 400ml Wax Equipment Cleaner
- 1 x 100ml Smooth It
- 1 x 6 Brazilian Shapers
- 1 x 100 Disposable Spatulas



3194 Brazilian Hot Film Wax Kit **£24.95**
3195 Brazilian Hot Film Wax Kit + 1000cc Heater **£68.95**

Depilatory Hot Film Wax Kits



Contents:

- 1 x 500g Depilatory Hot Film Wax Block - Red
- 1 x 400ml Pre Wax Treatment Spray
- 1 x 400ml After Wax Lotion
- 1 x 400ml Wax Equipment Cleaner
- 1 x 100ml Smooth it
- 1 x 100 Disposable Spatulas



3197 Depilatory Hot Film Wax Kit **£21.95**
3198 Depilatory Hot Film Wax Kit + 1000cc Heater **£65.95**

Options Dome Wax Kits

Student Dome Contents:

- 1 x Dome Heater 500cc
- 1 x 400ml Pre Wax Spray
- 1 x 100 Disposable Spatulas
- 1 x 100 Fabric Strips
- 1 x 400ml After Wax Lotion
- 1 x 400ml Equipment Cleaner
- 1 x 425g Warm Honey Wax
- 1 x 400g Original Hot Film Wax
- 1 x 350g Peach Paraffin Jar Wax
- 1 x 1" Paraffin Brush



Starter Dome Contents:

As 4179 shown opposite with 1000cc Dome Heater **Student Kit shown**

7841 Student Dome Waxing Kit + 500cc **£54.95**
7840 Starter Dome Kit + 1000cc **£54.95**

Hive Warm Wax Kits



Contents:

- 1 x 425g Warm Honey Wax
- 1 x 400ml Pre Wax Treatment Spray
- 1 x 400ml After Wax Lotion
- 1 x 100 Disposable Spatulas
- 1 x 100 Fabric Strips
- 1 x 400ml Wax Equipment Cleaner



4179 Warm Wax Kit **£17.50**
3191 Warm Wax Kit + 500cc Heater **£57.95**
2400 Warm Wax Kit + 1000cc Heater **£62.95**

Roller Wax Starter Kit with Chamber Heater

Contents:

- 1 x Hive Multi Pro Heater
- 3 x 80g Warm
- 3 x 80g Green Tea
- 3 x 80g Lavender
- 3 x 80g Pink Sensitive
- 1 x 400ml Pre Wax Spray
- 1 x 250ml Cool Down
- 1 x 100 Equipment Cleaner Wipes
- 1 x 100 Fabric Strips
- 6 x Large Roller Heads
- 6 x Small Roller Heads
- 6 x Mini Roller Heads
- 1 x 10 Disposable Protective Sleeves



3201 Roller Wax Starter Kit with 3 Chamber Heater **£89.95**
3200 Roller Wax Starter Kit with 6 Chamber Heater **£125.00**

Roller Wax Starter Kit

Contents:

- 3 x 80g Warm Wax Cartridges
- 3 x 80g Green Tea Wax Cartridges
- 3 x 80g Lavender Wax Cartridges
- 3 x 80g Sensitive Pink Wax Cartridges
- 1 x 400ml Pre Wax Spray
- 1 x 250ml Cool Down After Wax Treatment
- 1 x 100 Equipment Cleaner Wipes
- 1 x 100 Fabric Strips
- 6 x Large Roller Heads
- 6 x Small Roller Heads
- 6 x Mini Roller Heads
- 1 x 10 Disposable Protective Sleeves



3204 Roller Wax Starter Kit **£52.95**

Mini Multi Pro Cartridge Waxing 3 Chamber Heater

- Simultaneously heats Paraffin and roller wax cartridges, and is thermostatically controlled to ensure both types of waxes are heated to different temperatures within the same unit
- Ideal for the mobile therapist or the smaller salon



3203 3 Chamber Heater

£45.95

Multi Pro Cartridge Waxing 6 Chamber Heater

- Two separate chambers can be individually controlled heated to different temperatures
- Suitable for 75/80/100g wax depilatory cartridges and 100g Hive Paraffin spray cartridges



3202 6 Chamber Heater

£77.95

Warm Wax Roller Depilatory Refill



- A golden and honey-like appearance when applied, the product provides a thin and economic application through Hive roller heads

3205-HON Warm Wax 80g, pk/6 £8.95
3206 Warm Wax 80g, pk/36 £44.50

Tea Tree Crème Roller Depilatory Refill



- A deluxe crème depilatory with a lower operating temperature and improved adhesion qualities with the addition of tea tree which is a known antiseptic

3207 Tea Tree 80g, pk/6 £9.50
3208 Tea Tree 80g, pk/36 £47.50

Crème Wax Roller Depilatory Refill



- A deluxe Crème Wax with a lower operating temperature than warm wax ensures client comfort during waxing
- The improved adhesion qualities of Crème Wax assist in the removal of very fine hairs often missed by other waxes

3209 Crème Wax 80g, pk/6 £9.50
3210 Crème Wax 80g, pk/36 £47.50

Lavender Pearlised Crème Roller Depilatory Refill



- A Lavender Crème Pearlised Wax with a low operating temperature
- Lavender is commonly associated with healing of the skin

3212 Lavender 80g, pk/6 £9.50
3213 Lavender 80g, pk/36 £47.50

Perfect Pink Crème Roller Depilatory Refill



- The Hypo Allergenic Perfect Pink wax formula has been modified to create a new roller wax
- Ideally suited for use on sensitive skin or those prone to allergic reactions

3214 Perfect Pink 80g, pk/6 £10.75
3215 Perfect Pink 80g, pk/36 £54.50

Lemon Zest Crème Roller Depilatory Refill



- Light, refreshing Lemon Crème Pearlised Wax
- Containing Lemon Oil to provide an uplifting fragrance during waxing, with the added benefit of a low operating temperature provides for more comfort for the client during application

3217 Lemon Zest 80g, pk/6 £9.50
3218 Lemon Zest 80g, pk/36 £47.50

Large Leg Roller Head



- The larger and wider roller heads
- Ideal for larger treatment areas such as legs and underarms

3219 Large Leg Roller Head, pk/6 £5.95

Small Facial Roller Head



- The smaller heads are ideal for eyebrow and bikini waxing
- Delivering a narrower film of wax to a smaller treatment area

3220 Small Facial Roller Head, pk/6 £5.25

Mini Roller Head



- The mini heads are ideally suited for working around the lip and eyebrows and any other areas where a narrow film of wax is required

3221 Mini Roller Head, pk/6 £5.25

Disposable Protective Sleeves



- A unique roller accessory
- For therapists who are heat sensitive
- Can be used with 80g and 100g Depilatory and Spray Paraffin cartridges

3222 Sleeves, pk/10 £2.50



Men's Waxing

Wax 4 Men 'Warm' Wax

- This is a high-grade quality wax which works best on fine or coarse hair growth found all over the body
- Ideally suited for men



3223 Warm Wax 425g £5.25

Wax 4 Men 'Hot Film' Wax

- A uniquely different wax specifically formulated for use on coarse hair growth
- It is applied as a thin layer and maintains a flexible nature during treatment



3224 Hot Film Wax 500g Block £5.95

Wax 4 Men Roller Depilatory Warm Wax

- Unique wax suitable for use on both fine and coarse hair growth
- The formulation allows for a thin application, with no dragging allowing for a less painful treatment



3205-MEN Roller 80g, pk/6 £8.95

Pre- Wax Treatment

Pre Wax Treatment Spray

- A light antiseptic cleansing spray fragranced and enhanced with both Lemon and Tea Tree essential oils
- Removes deodorant, make-up and body oils from the skin, use prior to treatment



3225 Spray 400ml £3.50

Pre Wax Treatment Wipes

- Packed in a hygienic dispenser for ease of use
- Pre Wax Treatment Wipes provide the therapist with an alternative to the Pre Wax Treatment Spray



3227 Wipes, tub/100 £3.50

Purified Talc

- A luxury purified unfragranced talc ideally suited to the preparation of the skin prior to waxing



3226 Purified Talc 100g £2.95

After Wax Treatments

After Wax Treatment with Tea Tree

- The perfect conclusion to a waxing treatment, formulated to cool and moisturise the skin
- Reduces the chance of inflammation after waxing



3228 Tea Tree 400ml £3.25
2328 Tea Tree 4L £12.95

Time Out



- Time Out Hair Growth Retardant has the properties to retard hair growth and also reduce its density



8915 Time Out 30ml £4.50

Cool Down After Wax Treatment

- Reduces the redness caused by distressed skin immediately after a waxing treatment
- Soothing qualities of Camphor, Menthol & Clove Oil leave the skin comfortable, cool and refreshed



3232 Cool Down 250ml £9.75

After Wax Oil

- A light after wax conditioning oil to help soothe and remove wax residue from the skin



3230 After Wax 400ml £3.50

Wax Control After Wax Oil with Azulene

- After wax oil containing a blend of vitamin enriched oils



3231 Wax Control 200ml £4.75

Smooth It

- Smooth It is a unique unisex product for the treatment and prevention of in-growing hairs and razor burns



3233 Smooth It 100ml £4.50

Equipment Cleaner

Wax Equipment Cleaner



8848 Cleaner 400ml £4.75

Wax Equipment Cleaner



8850 Cleaner 4L £20.00

Wax Equipment Cleaner Wipes



8449 Cleaner Wipes, pk/100 £4.75

Oritree Wax

Oritree Tea Tree Hot Wax



- Oritree Tea Tree Hot Wax is formulated with pure bees wax and tea tree with its soothing and calming properties

3255 Tea Tree 1kg **£8.50**

Oritree Hot Wax



- Oritree Cream Hot Wax is a gentle, efficient, pure natural product which is safe and kind to the skin
- Made with pure bees wax

3256 Hot Wax 1kg **£8.50**

Oritree Tea Tree Wax

Buy 12+ Save 10%



- Easy to use, sticks only to the hair so depilation is less painful
- Essentials oils of Tea Tree with antiseptic properties

3257 Tea Tree 500g **£7.25**

Oritree Original Wax

Buy 12+ Save 10%



- Easy to use, sticks only to the hair so depilation is less painful
- Vanilla coloured cream wax to be used with most types of heaters

3258 Original 500g **£7.25**

Oritree Liquid Wax



- Liquid hair remover is a gentle, efficient, pure natural product, safe and kind to the skin

3261 Liquid Wax 1 x 75g Clear **£2.25**
 3262 Liquid Wax 1 x 75g Cream **£2.25**
 3259 Liquid Wax 1 x 75g Tea Tree **£2.25**

Oritree Ultra Soft Strips



- Ultra soft flexible waxing strips are excellent quality strips providing great results every time

3260 Ultra x 100
 220 x 75mm **£3.95**
 3662 Ultra Mini x 100
 100 x 40mm **£4.90**

Applicator Heads



- Individually sealed disposable applicators
- One client application

3263 Heads, pk/40 **£9.95**

Wax Lotion & Oil

Strictly Professional After Wax Lotion with Aloe Vera & Lavender

- A calming lotion containing Aloe Vera and Lavender
- Soothes and moisturise the skin after waxing



8192 500ml **£3.10**
 8193 1L **£5.45**
 8194 4L **£12.45**

Strictly Professional After Wax Lotion with Tea Tree & Peppermint

- A calming and soothing lotion containing Glycerine, Menthol and Tea Tree oil
- Formulated to cool and moisture the skin



8195 500ml **£3.10**
 8196 1L **£5.45**
 8197 4L **£12.45**



Pre Wax Lotion



- A light antiseptic cleansing lotion, with Camphor oil, to prepare the skin prior to waxing treatment

8199 Pre Wax Lotion 500ml **£4.15**

After Wax Oil



- Specially selected to cool the skin and remove excess wax after a waxing treatment

8198 After Wax Oil 500ml **£4.25**

Pure Hard Hot Wax

- Contains rose which re-vitalises, uplifts and soothes the skin
- This wax is suitable for use on the lip, underarm and eyebrow waxing and particularly effective on bikini areas including Brazilian waxing



8228 Pure Hard Hot Wax 600g **£8.70**



Brazilian Waxing & Treatments

Clean + Easy Brazilian Hard Wax Kit



- Contains:**
- 1 x 50 Brazilian Heater and drip collars
 - 1 x Brazilian Hard wax
 - 1 x 100 Pack Large Spatulas
 - 1 x 100 Pack Small Spatulas
 - 1 x 147ml Pre-epilation Oil
 - 1 x 60ml Azulene Oil
 - 1 x Brazilian Waxing DVD and Instructions
 - 1 x Brazilian Window Sticker

Provides clean, close removal of unwanted hair. No muslin strips needed, gentle enough for even exceptionally coarse hair, fast and efficient and no sticky residue!

1678	Brazilian Hard Wax Kit	£64.50
3247	Deluxe Wax Heater	£43.50

Brazilian Full Body Hard Wax



- Specifically designed for the Brazilian Bikini wax technique - the latest trend in hair removal
- By adhering to the hair, not to the skin, this hard wax gently removes even the coarsest of hair from the most sensitive areas
- This no-strip formula leaves the skin smooth and hair-free and without any wax residue

1679	Hard Wax 396g	£7.20
------	---------------	-------

Hemp Wax



- Formula features Hemp Seed Oil, known for its hydrating and anti-inflammatory properties
- Ideal for clients who experience dryness or inflammation with waxing, this wax helps to lubricate and reduce flaking, and can be used on the face or body

1680	Hemp Wax 369g	£5.80
------	---------------	-------

Pre-Epilation Oil

- Creates a barrier between your hard wax and client's skin for easier, more effective hair removal
- This gentle formula also conditions and softens the area where it's applied



1684	Prep-Oil 176ml	£4.95
------	----------------	-------

Cleanse

- Pre-wax antiseptic cleanser that kills bacteria on the skin's surface, and also removes oil, perspiration and make-up from the skin
- Cleanse is an essential product for all types of waxing services



1681	Cleanse 475ml	£6.30
------	---------------	-------

Soothe Gel

- Aloe vera gel instantly cools, soothes and refreshes the skin after waxing by calming and revitalising
- Prevents slight redness after waxing



1682	Soothe 475ml	£6.30
------	--------------	-------

Remove

- Emollient rich Wheat Germ Oil removes any trace of wax remaining on the skin
- Can be used to clean roller heads and the clean and easy spa Heater effective with any types of wax



1683	Remove 475ml	£6.95
------	--------------	-------

Azulene Skin Calming Oil

- Perfect skin conditioner with Chamomile which soothes the skin while promoting softer healthier skin
- For use after any type of hair removal



3268	Azulene 60ml	£4.55
------	--------------	-------

Restore

- An anti-inflammatory dermal therapy lotion with Allantoin
- Skin conditioner that is a moisturising treatment for newly waxed skin, with anti-inflammatory ingredients



3269	Restore 475ml	£8.50
------	---------------	-------

Lavender Moisture Absorbent Powder

- This super fine, super absorbent powder used to dry and protect the skin prior to waxing
- Formulated with Lavender, this powder provides a calm and relaxing feeling



3270	Lavender 99g	£2.85
------	--------------	-------

Cooling Gel

- Cooling Gel is a fresh soothing gel with Aloe Vera, Vitamins A and E and inflammatory ingredients
- Contains natural fruit extracts which help slow new hair growth
- Re-growth will be finer and sparse



3271	Gel 475ml	£7.35
------	-----------	-------

Waxing Essentials



Spatulas

1676	Small, pk/100	£2.65
1677	Petit, pk/100	£2.40

Thermo Sleeve

1671	Thermo Sleeve	£5.70
------	---------------	-------

Deluxe Wax Heater Collars

3272	Collars, pk/50	£3.95
------	----------------	-------

Waxing Paper Strips x 100

1672	Large	£4.30
1673	Medium	£3.75
1674	Small	£2.25

Roller Heads



- Roller Heads are replacement parts for the clean + easy® roll-on wax applicators

1667	Roller Heads Leg, pk/3	£4.80
1668	Roller Heads Fine (Eye Brow), pk/3	£4.70
1669	Roller Heads Face, pk/3	£4.70
1670	Roller Heads Bikini, pk/3	£4.70

Spa Kit & Refills

Clean + Easy Spa Kit



Contains:

- 1 x Waxing Spa Heater
- 1 x Large Original Wax 3 Pack
- 1 x Azulene Wax 3 Pack
- 1 x Large Hemp Wax 3 Pack
- 1 x Medium Original Wax 3 Pack
- 1 x Small Original Wax 3 Pack
- 1 x Leg Roller Head 3 Pack
- 1 x Waxing Strips Pack 3 sizes
- 1 x Training DVD & Instructions Manual
- 1 x Bikini, Face, Finesline Roller Head
- 1 x 475ml Cleanse
- 1 x 475ml Soothe
- 1 x 475ml Remove
- 1 x 475ml Restore
- 1 x 99g Lavender Talc
- 1 x Thermosleeve



Clean + Easy Spa Heater



1654 Clean + Easy Spa Kit **£107.50**

2207 Spa Heater **£85.00**

Clean + Easy Original Wax Refills



- An all purpose wax that can be used for facial and body waxing on non sensitive skin
- Made from a blend of natural wax including Beeswax, Honey and pine Rosins

Buy 6+ Save 10% on all 12 Packs

1655	Large, pk/12	£26.50
1656	Large, pk/3	£7.40
1657	Medium, pk/3	£6.80
1658	Small, pk/3	£5.90

Clean + Easy Sensitive Wax Refills



- Perfect for clients who experience redness and irritation with waxing
- Chamomile and Azulene to soothe and calm the skin

1659	Large, pk/12	£26.50
1660	Large, pk/3	£7.40
1661	Medium, pk/3	£6.80
1662	Small, pk/3	£5.90

Clean + Easy Hemp Wax Refills



- Ideal for clients who experience dryness or inflammation with waxing
- Hemp Seed Oil which is known for its hydrating and anti-inflammatory properties

1663	Large, pk/12	£26.50
1664	Large, pk/3	£7.40
1665	Medium, pk/3	£6.80



Clean + Easy Vitamin E Refills



- Ideal for clients who like the Original wax formula but with added benefits of Vitamin E's moisturising and healing powers
- Vitamin E is well known for having natural cellular renewal and anti oxidants that moisturise and improve elasticity and smoothness of the skin

3265 Large, pk/6 **£8.25**

Clean + Easy Chocolate Wax Refills



- Cacao contains unique properties and minerals, with high levels of sulphur and magnesium; cacao beans are super-rich in anti-oxidant flavonols
- Great for all skin types that can be used for facial and body waxing

3267 Chocolate, pk/3 **£7.20**

Clean + Easy Tea Tree Refills



- Gentle enough for normal to sensitive skin and is especially effective in removing short and coarse hair
- Formulated with Tea Tree Oil which is a powerful antiseptic and anti-inflammatory that soothes the skin

3264 Tea Tree, pk/3 **£7.55**



GiGi Wax Warmer & Wax Kit



NEW

- Heat is thermostatically controlled and pots fit perfectly into the warmer
- Temperature indicator light and the lid ensures the prevention of dust
- Holds 14oz pots

9102	Wax Warmer	£51.50
9103	Honee Mini Pro Kit	£49.95

Brazilian Wax Kit



- Contents:**
- 1 x 4oz Pre-Epilation Oil
 - 1 x 14oz Brazilian Body Hard Wax
 - 1 x 100 Spatulas
 - 1 x Wax Warmer
 - 1 x DVD Instructions

9104	Brazilian Wax Kit	£59.95
------	-------------------	--------

Brazilian Body Wax



- Formulated for thorough bikini waxing
- Hard wax is gentler to your clients skin, when waxing sensitive areas

9105	Brazilian Body Wax 14oz	£7.20
9106	Brazilian Microwavable Formula 8oz	£5.70

All Purpose Honee Wax



- An all natural formula, gentle enough for delicate areas
- Leaves the skin soft, smooth and hair free

9107	Honee Wax 396g	£4.75
------	----------------	-------

Tea Tree Creme Wax



- This creme wax protects the skin from dryness and irritation, leaving skin soft to the touch

9108	Tea Tree Creme Wax 396g	£5.50
------	-------------------------	-------

Milk Chocolate Creme Wax



- A soothing creme wax in milk chocolate
- Cocoa seed extract acts as an anti-inflammatory agent
- Perfect for removing short, coarse and stubborn hair

9109	Milk Chocolate Creme Wax 396g	£7.35
------	-------------------------------	-------

Creme Wax



- A smooth creme formula
- Recommended for sensitive skin
- Creme wax conditions the skin and leaves it feeling silky smooth

9110	Creme Wax 396g	£5.35
------	----------------	-------

Pre Hon Lotion



- Formulated to cleanse the skin's natural oils and help protect skin from irritation

9111	Pre Hon Lotion 236ml	£1.80
------	----------------------	-------

Pre Epilation Oil



- This oil prepares and conditions the skin for all hard wax applications and makes the removal of wax easier and more effective

9112	Pre Epilation 118ml	£4.40
------	---------------------	-------

Slow Grow



- A fast absorbing lotion retards hair growth while softening and smoothing the skin

RRP £4.85

9113	Slow Grow Lotion 236ml	£2.65
------	------------------------	-------

Wax Off



- Gently removes all traces of wax from the skin, it is enriched with aloe vera and essential oils to moisturise as it cleans

9114	Wax Off 236ml	£3.95
------	---------------	-------

Post Wax Cooling Gel



- Contains menthol and cucumber to cool the skin and reduce redness
- It naturally moisturises and nourishes the skin

9070	Cooling Gel 236ml	£2.10
------	-------------------	-------

No Bump Scrub



- The essential pre and post hair removal skin polish is formulated to remove dead skin cells and release hair follicles for optimal hair removal results

RRP £13.50

9038	No Bump Scrub 170g	£7.40
------	--------------------	-------

Luxury Couch and Hygiene Rolls

- Luxury 100% Pure Pulp White 2 ply paper couch or hygiene rolls
- Easy tear perforations
- Absorbent
- 40m per roll



9850 20" Couch Rolls, pk/9 **£18.50**

For More Couch Rolls See Page 153

PVC Waxing Apron



- Durable high quality white PVC apron affording suitable protection to the therapist clothing during waxing or other salon treatment applications

1773 PVC Apron **£3.50**

Disposable G Strings



- A non-woven elasticated G-String ideal as disposable client wear

0404 White, pk/100 **£13.95**

0403 Black, pk/100 **£13.95**

Just Care Surgical Spirit



8374-5 500ml **£2.60**
1733 4L **£12.95**

Just Care Wax Equipment Cleaner



Best Seller

3150 500ml **£3.95**
1794 4L **£14.95**

Just Care Hand Sanitizer Gel



3248 Gel 500ml **£3.95**

GIGI No Bump Body Treatment

Best Seller



- Avoid during pregnancy
- Prevents bumps from occurring
- Helps eliminate in-grown hair and gives healthy bump free skin

1731 No Bump 118ml **£5.90**

Spatulas



- Wooden spatulas crafted from the highest grade materials provide

3236 24cm Leg **£2.75**
3237 16cm Spoon **£2.45**
3238 14.5cm Lip **£2.65**

Natural Talc



3241 Talc 600g **£3.25**

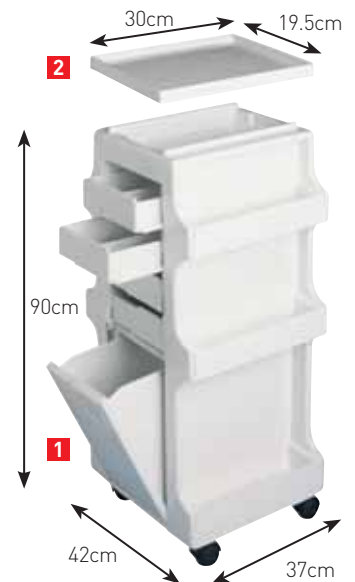
REM Standard Wax Trolley



- A professional trolley, excellent value for money
- All steel construction with a white satin finish as standard
- Wax heater not included
- Dimensions: 86H x 41W x 38D cm

0069 Standard Wax Trolley **£119.00**

Waxing Station Trolley



- Self contained storage
- The upper tray features a practical rim for heaters and accessories
- Accessible from both sides are four pull out drawers and a pull out waste bin
- Dimensions: 90H x 42W x 37D cm

0865 Trolley **1** **£132.50**

8340 Top Tray For Waxing Station **2** **£19.95**

Disposable Latex Gloves Powder Free



- Available in X-Small, Small, Medium, Large

1236 Latex, pk/100 **£4.95**

Disposable Vinyl Gloves Powder Free



- Available in X-Small, Small, Medium, Large

1239 Vinyl, pk/100 **£3.75**

For More Gloves See Page 159

For More Trolleys See Page 200-203



Hive Wax Heater



Best Seller

- Suited to all warm and cream waxes, also works well at both lower and higher temperatures suiting both paraffin and depilatory hot wax
- The base of the unit can be removed and locked into position as a protective collar

1766	Hive 500cc Wax Heater	£44.95
1738	Hive 1000cc Wax Heater	£49.95

Hive 1000cc Digital Wax Heater



- 1000cc capacity digital wax heater for ultimate temperature control reaching temperatures of 90°C, the Hive wax heater offers complete versatility
- Chose from either standard or FAST heat up mode, perfect for the busy salon
- Features removable inner container, fitted lid, indicator display light and removable electrical lead

3169	Hive 1000cc Digital Heater	£59.95
------	----------------------------	--------

Hive Dual 1000cc & 500cc Digital Wax Heater



- A dual 1000cc & 500cc capacity digital wax heater for ultimate versatility reaching temperatures of 90°C, the Hive dual wax heater offers complete temperature control
- Chose from either standard or FAST heat up mode, perfect for the busy salon, the separate heat chambers can heat up independently or simultaneously, as required
- Features removable 1000cc inner container, removable 500cc inner container, fitted lid, indicator display light and removable electrical lead

3170	Hive Dual 1000cc & 500cc Digital Wax Heater	£74.95
------	---	--------

Hive Mini Multi Pro Cartridge Waxing 3 Chamber Heater



- Simultaneously heats Paraffin and roller wax cartridges, and is thermostatically controlled to ensure both types of waxes are heated to different temperatures within the same unit
- Ideal for the mobile therapist or the smaller salon

3203	Hive 3 Chamber Heater	£45.95
------	-----------------------	--------

Hive Multi Pro Cartridge Waxing 6 Chamber Heater



- Two separate chambers can be individually controlled heated to different temperatures
- Suitable for 75/80/100g wax depilatory cartridges and 100g Hive Paraffin spray cartridges

3202	Hive 6 Chamber Heater	£77.95
------	-----------------------	--------

GiGi Wax Warmer



- Heat is thermostatically controlled and pots fit perfectly into the warmer
- Temperature indicator light and the lid ensures the prevention of dust
- Holds 14oz pots

9102 GiGi Wax Warmer £51.50

Clean + Easy Heater



3247 Clean + Easy Deluxe Wax Heater £43.50

Clean + Easy Spa Heater



2207 Clean + Easy Spa Heater £85.00

Hive Options Dome Wax Heater



- Designed to deliver a cost effective waxing solution, ideal for students and small salons
- Stylishly moulded and made from high resistant durable materials with accurate and easily understood controls
- Heats all types of waxes including warm, creme, hot and paraffin
- Complete with an inner container for ultimate flexibility

8912 Hive 500cc Dome Wax Heater £37.95

9478 Hive 1000cc Dome Wax Heater £41.95

Just Wax Digital Compact Heater

New Stylish Contemporary design with easy touch digital temperature control. Easy to clean gloss finish and detachable cable



- Simply place wax pot directly into heater, no inner pot required
- No pouring, no mess and interchangeable with different types of wax
- Holds 450g wax pots
- Ideal for salon, student and mobile therapist

9202 Just Wax Digital Wax Heater £45.00

